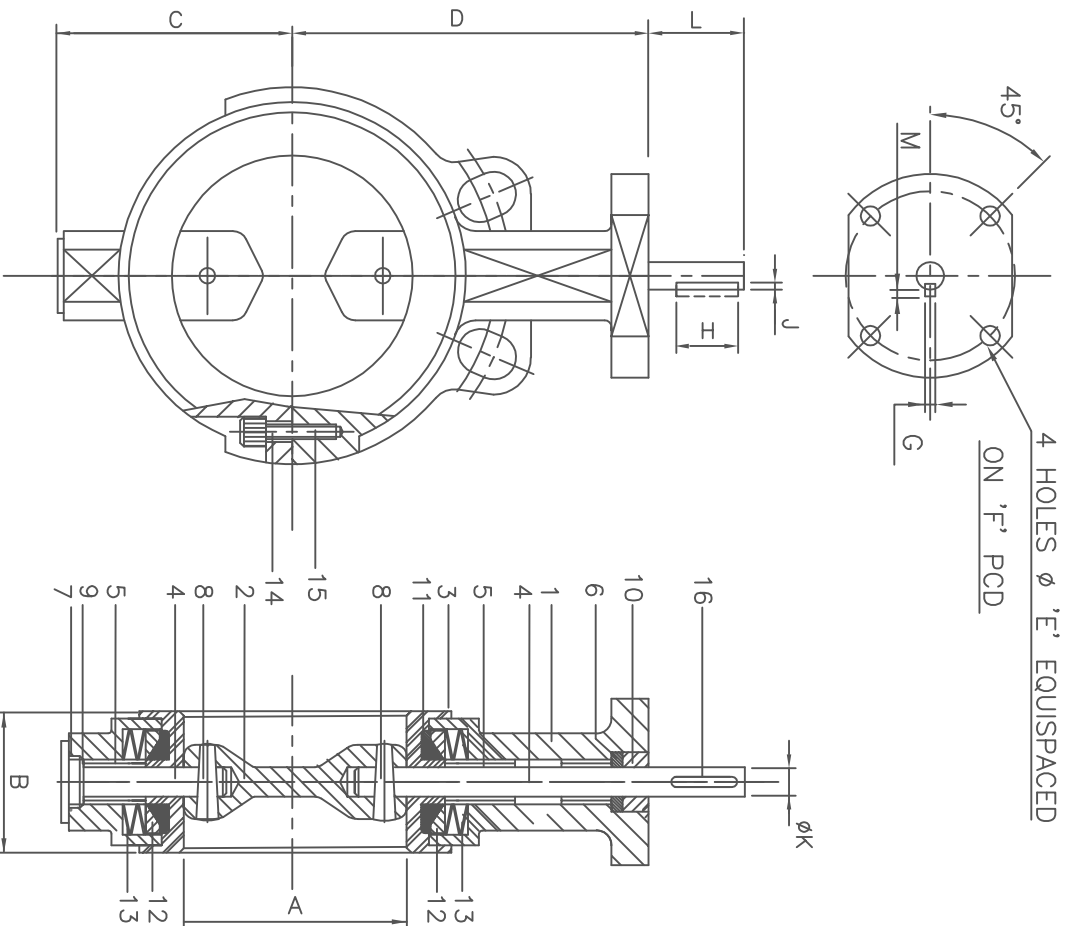


| INTERVALVE® (ENGINEERING DATA SHEET) | | DOC NO. : IVED-004 |
|--|-----------------------------|---|
| Title : Product Specification for IVTFE / IVTE model Butterfly Valve | | REV NO. : 0 |
| | | DATE : 02/08/06 |
| | | PAGE NO. : 1 OF 1 |
| GENERAL FEATURES | VALVE TYPE | CENTRIC DISC DESIGN BUTTERFLY |
| | VALVE MODEL | IVTFE / IVTE |
| | DESCRIPTION | PTFE LINED BUTTERFLY VALVE WITH A REPLACEABLE SEAT |
| | DESIGN, MFG. STD. | API 609 / BS 5155 |
| | FACE TO FACE DIMENSION | API 609 (CATEGORY A) / ISO 5752 TAB 5 |
| | TESTING STANDARD | API 598 / BS 6755 PART I / ANSI-FCI 70-2 |
| | TOP FLANGE | ISO 5211.2 |
| PRODUCT SPECS. | SIZE RANGE | 50 NB TO 300 NB |
| | PRESSURE RATING | PN 2.5 / PN 6.0 / PN10 |
| | OPERATING TEMP. | - 25° C ~ +200° C. (DEPENDING ON MOC) |
| | FLANGE STANDARD | ANSI 150; PN 10/16; NP1.0/1.6; BS 10 TAB D & E |
| | BODY TYPE | WAFER (WITH 2 PIECE SPLIT BODY) |
| | DISC TYPE | IVTFE - CENTRIC DESIGN WITH TAPER PIN DRIVE IVTE - CENTRIC DESIGN WITH ENCAPSULATED SQUARE DRIVE |
| | SEAT TYPE | REPLACEABLE LINER TYPE |
| | SEAT LEAKAGE | ZERO LEAK, TIGHT SHUT OFF |
| | FLOW DIRECTION | BIDIRECTIONAL |
| | PAINTING FINISH | EPOXY POWDER COATED (EXCEPT ST.STEEL) |
| MATL. OF CONSTRUCTION | BODY MATL. | SGI / WCB / CF8 / CF8M / 6Mo / ALLOY 20 / SUPER DUPLEX |
| | DISC MATL. | CF8 / CF8M / 6Mo / ALLOY 20 / HASTEALLOY / TITANIUM / OTHER SPL. ALLOYS |
| | SEAT MATL. | PTFE, GLASS FILLED PTFE |
| | BACK UP ELASTOMER | VITON / SILICON |
| | SHAFT MATL. | AISI 410 OR SS 316 SH |
| | BEARING MATL. | ST.STEEL BACKED PTFE (SELF LUBRICATING) |
| | SHAFT SEALING | O-RINGS |
| OPERATION | STD. PRESSED HAND LEVER | 50 NB TO 150 NB |
| | CAST HAND LEVER | 200 NB |
| | GEAR BOXES | 250 NB TO 300 NB (OPTIONAL ON SMALLER SIZES) |
| | ACTUATOR (ELECT./PNEUMATIC) | OPTIONALLY AVAILABLE FOR FULL RANGE. |
| 1. SPECIFICATION SUBJECT TO CHANGE WITHOUT NOTICE DUE TO CONTINUOUS IMPROVEMENT. 2. OTHER MATERIAL OPTIONS OR NON-STANDARD REQUIREMENTS AVAILABLE ON REQUEST. | | |
| PREPARED BY | | APPROVED BY |

CAUTION:-DO NOT USE FLANGE GASKETS DURING VALVE INSTALLATION.

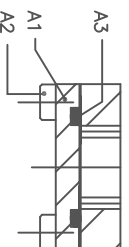


VALVE DIMENSION

| VALVE SIZE | A | B | C | D | E | F | G | H | J | K | M | L |
|------------|-----|----|-----|-----|----|-----|---|----|-----|----|-----|----|
| 50 | 50 | 43 | 73 | 113 | 9 | 70 | 4 | 20 | 2.5 | 12 | 1.5 | 32 |
| 65 | 65 | 46 | 80 | 121 | 9 | 70 | 4 | 20 | 2.5 | 12 | 1.5 | 32 |
| 80 | 80 | 46 | 88 | 128 | 9 | 70 | 4 | 20 | 2.5 | 12 | 1.5 | 32 |
| 100 | 100 | 52 | 104 | 146 | 9 | 70 | 5 | 20 | 3 | 16 | 2 | 32 |
| 125 | 125 | 56 | 116 | 158 | 9 | 70 | 5 | 20 | 3 | 16 | 2 | 32 |
| 150 | 150 | 56 | 138 | 174 | 11 | 102 | 6 | 20 | 3.5 | 20 | 2.5 | 32 |
| 200 | 200 | 60 | 163 | 198 | 11 | 102 | 6 | 20 | 3.5 | 20 | 2.5 | 32 |
| 250 | 250 | 68 | 210 | 245 | 11 | 102 | 8 | 25 | 4 | 30 | 3 | 50 |
| 300 | 300 | 78 | 235 | 270 | 14 | 125 | 8 | 25 | 4 | 30 | 3 | 50 |

@@ - FOR MATERIALS PLEASE ENQUIRE

FLANGE STD:-PN10/PN16/ASA150
 VALVE RATING-PN10
 TEST STD-API 598
 MFG.STD-API 609
 HYD TEST PRESS-1)BODY:-15 KG/CM2
 2)SEAT:11KG/CM2
 * 200NB AND ABOVE
 TAPER PIN QTY-2



BOTTOM DETAILS FOR 250 & 300NB

| | | |
|---------------------|---|------------|
| A3 O RING | 1 | VITON |
| A2 SOC.HD CAP SCREW | 4 | AS1 304 |
| A1 COVER | 1 | CS/AS1 316 |

| NO | DESCRIPTION | QTY | MATL. |
|----|-------------------|-----|---------------|
| 16 | KEY | 1 | EN8 |
| 15 | SOC CAP SCREW SET | | AS1 304 |
| 14 | SPRING WASHER SET | | AS1 304 |
| 13 | DISC SPRING SET | | AS1 304 |
| 12 | PUSHER | 2 | AS1 304 |
| 11 | ELASTOMER | 2 | VITON |
| 10 | TOP BUSHING | 1 | POLYACETAL |
| 9 | PLUG | 1 | C-15/AS1 316 |
| 8 | TAPER PIN | 1 | AS1 316 |
| 7 | O RING PLUG | 1 | VITON |
| 6 | O RING SHAFT | 1 | VITON |
| 5 | BEARING | 2 | ST.STEEL+PTFE |
| 4 | SHAFT | 2 | @@ |
| 3 | SEAT | 1 | @@ |
| 2 | DISC | 1 | @@ |
| 1 | BODY | 1 | @@ |

| | | |
|---------|------|-----|
| IV NO:- | APPD | DT. |
| TQ NO:- | CHKD | DT. |

| | | | |
|---------|-------------------------------------|------|---------|
| TITLE | WFE BUTTERFLY VALVE WITH BARE SHAFT | DRN. | BMW |
| DRC.NO. | PD14526/MDS046 | DT. | 30.8.05 |

INTERVALVE

| | | | | | | |
|------|---------|------|------|-------------------|-------|--------|
| REV. | MOD.NO. | DATE | SIGN | IF IN DOUBT. ASK. | SCALE | N.T.S. |
|------|---------|------|------|-------------------|-------|--------|

CUSTOMER:-