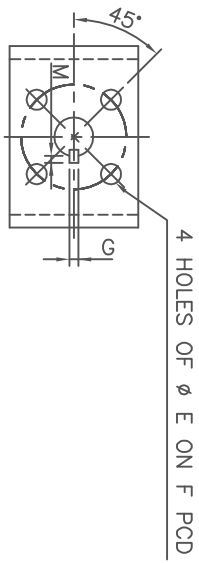
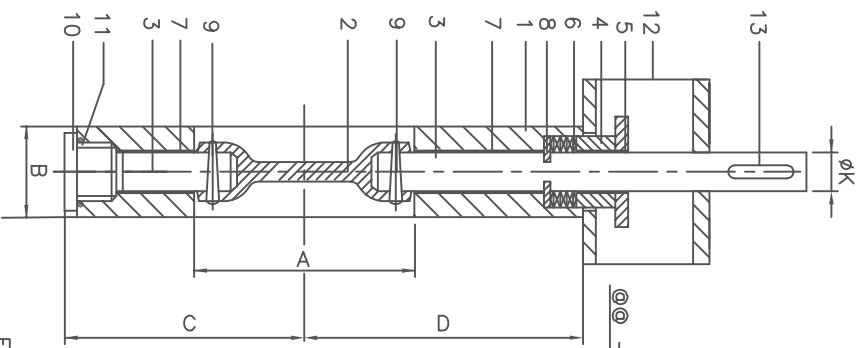
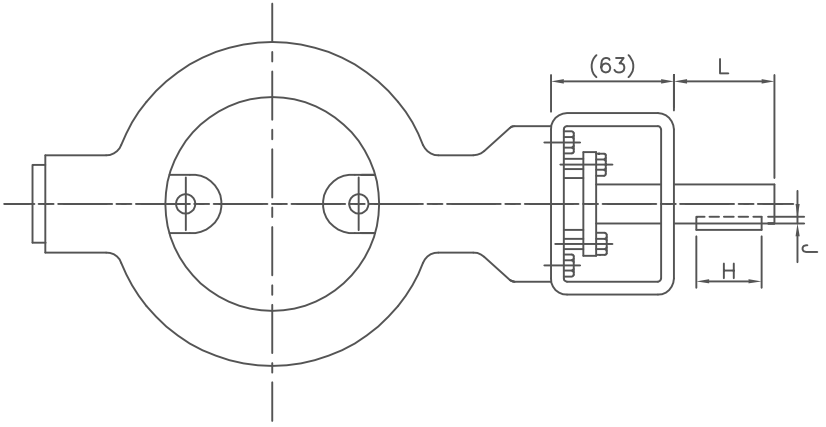


INTERVALVE® (ENGINEERING DATA SHEET)		DOC NO. : IVED-008
Title : Product Specification for IVR model Butterfly Dampers		REV NO. : 0
		DATE : 2/08/06
		PAGE NO. : 1 OF 1
GENERAL FEATURES	VALVE TYPE	CENTRIC DISC BUTTERFLY DAMPER
	VALVE MODEL	IVR
	DESCRIPTION	BUTTERFLY DAMPERS - SEATLESS TYPE
	DESIGN, MFG. STD.	IV INTERNAL STANDARD
	FACE TO FACE DIMENSION	IV INTERNAL STANDARD
	TESTING STANDARD	API 598 / ANSI / FCI 70-2
	ACTUATOR MOUNTING FLANGE	ISO 5211.2 (PROVIDED ON BRACKET)
PRODUCT SPECIFICATIONS	SIZE RANGE	50 NB TO 1200 NB
	OPERATING TEMPERATURE	- 25° C ~ +500° C. (DEPENDING ON MOC)
	PRESSURE RATING	PN 2.5 RATING FOR BODY AND MAX. DIFFERENTIAL OF 0.5 BAR FOR DISC
	FLANGE STANDARD	ANSI 150, PN 6/10; NP 0.6/1.0; BS 10 TAB D & E
	BODY TYPE	WAFER
	DISC TYPE	CENTRIC DISC DESIGN BUTTERFLY
	SEAT TYPE	SEATLESS DAMPER
	SEAT LEAKAGE	CLASS I / II (1 / 0.5% OF RATED Cv)
	FLOW DIRECTION	BI-DIRECTIONAL
	PAINTING	HIGH TEMP. ALUMINIUM PAINT (EXCEPT ST. STEEL)
MATL. OF CONSTRUCTION	BODY MATL.	WCB / CF8 / CF8M
	DISC MATL.	CARBON STEEL PLATE OR CASTING * ST. STEEL PLATE OR CASTING
	SEAT MATL.	SEATLESS
	SHAFT MATL.	AISI 410 / SS 316 SH
	BEARING MATL.	AL. BRONZE FOR TEMP. UPTO 300° C. ST. STEEL 316 + 'SURSULF' (FOR >300° C)
	SHAFT SEALING	GLAND PACKING (GRAPHOIL)
OPERATION	HAND LEVER (PRESSED STEEL)	SIZES 50 NB TO 350 NB
	CAST HAND LEVER (500 MM)	SIZES 400 NB TO 600 NB
	GEAR BOXES	650 NB TO 1200 NB (OPTIONAL ON SMALLER SIZES)
	ACTUATOR (ELECT. / PNEUMATIC)	AVAILABLE ON ENTIRE RANGE
* SIZES UPTO 200 NB ARE SUPPLIED WITH CAST GRADES AND SIZES 250 NB AND HIGHER ARE SUPPLIED WITH PLATE GRADE MATERIAL.		
1. SPECIFICATION SUBJECT TO CHANGE WITHOUT NOTICE DUE TO CONTINUOUS IMPROVEMENT. 2. OTHER MATERIAL OPTIONS OR NON-STANDARD REQUIREMENTS AVAILABLE ON REQUEST.		
PREPARED BY		APPROVED BY



4 HOLES OF ϕ E ON F PCD



⊗⊗ - FOR MATERIALS PLEASE ENQUIRE

VALVE SIZE	VALVE DIMENSION												
	A	B	C	D	E	F	G	H	J	ϕ K	L	M	
40	40	30	72	130	9	70	4	20	2.5	12	32	1.5	
50	50	30	76	135	9	70	4	20	2.5	12	32	1.5	
65	65	30	84	142	9	70	4	20	2.5	12	32	1.5	
80	80	30	92	150	9	70	4	20	2.5	12	32	1.5	
100	100	30	102	160	9	70	4	20	2.5	12	32	1.5	
125	125	30	114	172	9	70	4	20	2.5	12	32	1.5	
150	150	34	135	195	9	70	5	20	3	16	32	2	
200	200	34	160	220	9	70	5	20	3	16	32	2	
250	250	38	195	250	11	102	6	20	3.5	20	32	2.5	
300	300	38	220	275	11	102	6	20	3.5	20	32	2.5	
350	336	38	248	293	11	102	6	20	3.5	20	32	2.5	

FLANGE STD:-PN10/PN16/ASA150
 MAX. WORKING PRESSURE :-0.5 KG/CM2
 HYD. TEST PRESS. FOR BODY:-4KG/CM2
 SEAT LEAKAGE AS PER ANSI/FCI 70.2 CLASS I (< 1 % RATED CV)

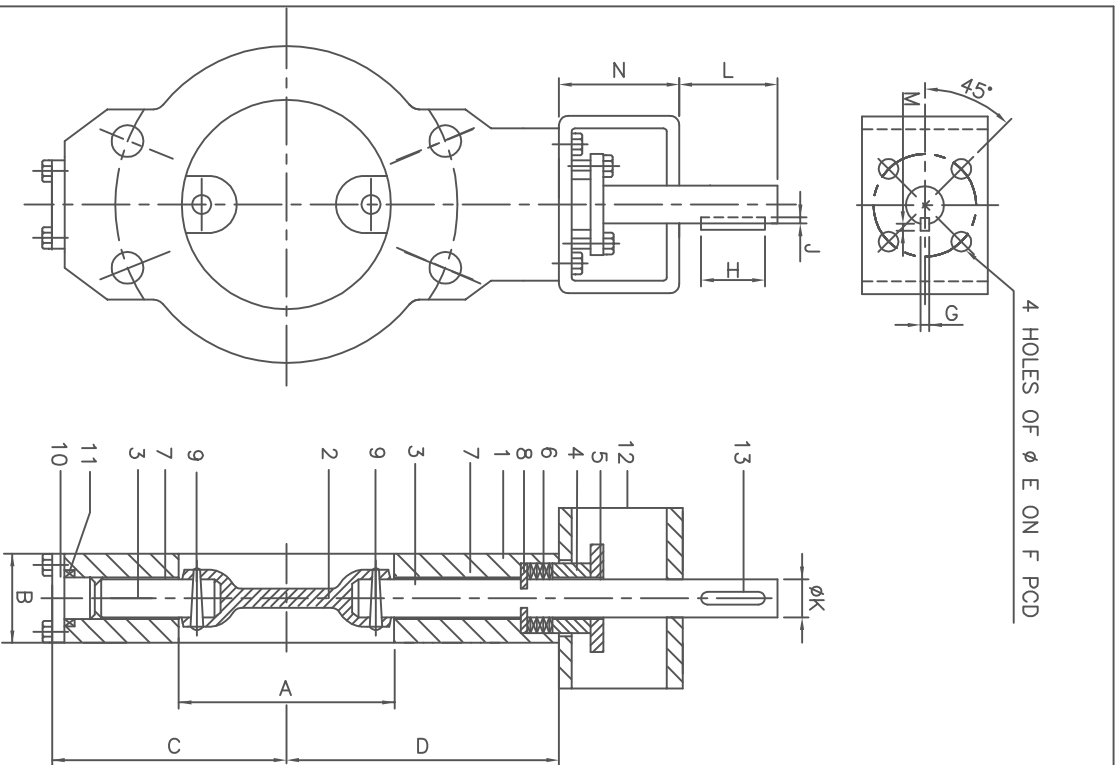
NO	DESCRIPTION	QTY	MATL.
1	BODY	1	⊗⊗
2	DISC	1	⊗⊗
3	SHAFT	2	⊗⊗
4	GLAND	1	AISI 316
5	GLAND FLANGE	1	CF8/CF8M
6	GLAND PACKING SET	1	GRAFOIL
7	BEARING	2	AISI 316+SURSULF COATING
8	SPLIT RING	1	AISI 316
9	DOWEL PIN	2	AISI 316
10	BOTTOM PLUG	1	C-15/AISI 316
11	PLUG PACKING SET	1	GRAFOIL
12	BRACKET	1	MS+EPOXY
13	KEY	1	EN8

TQ NO:-	APPD	DT.
IV.NO.	CHKD	DT.
IR BUTTERLY VALVE WITH BARE SHAFT	DRN	DT.
DRG.NO.- PD14520/MDS106		BMW 30.8.05

INTERVALVE

REV./MOD.NO.	DATE	SIGN	IF IN DOUBT SCALE	N.T.S.

CUSTOMER-



VALVE DIMENSION													
VALVE SIZE	A	B	C	D	E	F	G	H	J	ØK	L	M	N
400	386	50	300	315	11	102	8	25	4	30	32	3	63
450	436	50	325	340	11	102	8	25	4	30	32	3	63
500	486	50	360	365	11	102	8	25	4	30	32	3	63
600	586	50	425	415	11	102	8	25	4	30	32	3	63
650	636	50	450	440	11	102	8	25	4	30	32	3	63
700	686	50	475	465	11	102	8	25	4	30	32	3	63
750	736	50	500	490	11	102	8	25	4	30	32	3	63
800	786	50	530	515	11	102	8	25	4	30	32	3	63
900	886	65	590	585	14	125	12	50	5	40	50	3	80
1000	986	65	645	635	14	125	12	50	5	40	50	3	80
1150	1136	65	720	710	14	125	12	50	5	40	50	3	80
1200	1186	80	755	760	14	125	12	50	5	40	60	3	80

FLANGE STD:-PN10/PN16/ASA150
 MAX. WORKING PRESSURE :-0.5 KG/CM2
 HYD. TEST PRESS. FOR BODY:-4KG/CM2
 SEAT LEAKAGE AS PER ANSI/FCI 70.2
 CLASS I
 @@ - FOR MATERIALS PLEASE ENQUIRE

13	KEY	1	EN8
12	BRACKET	1	MS+EPOXY
11	PLUG PACKING	SET	GRAFOIL
10	BOTTOM PLATE	1	MS/AISI 316
9	DOWEL PIN	2	AISI 316
8	SPLIT RING	1	AISI 316
7	BEARING	2	AISI 316+SURSULF COATING
6	GLAND PACKING	SET	GRAFOIL
5	GLAND FLANGE	1	CF8/CF8M
4	GLAND	1	AISI 316
3	SHAFT	2	@@
2	DISC	1	@@
1	BODY	1	@@
NO	DESCRIPTION	QTY	MATL.
TQ NO:-			
IV.NO.		APPD	DT.
IVR BUTTERLY VALVE WITH			
WITH BARE SHAFT			
DRN	DT.	CHKD	BMW
DRG.NO.PD14521/MDS106	DT		30.8.05

INTERVALVE

REV./MOD.NO.	DATE	SIGN	IF IN DOUBT ASK.	SCALE	N.T.S.

CUSTOMER-