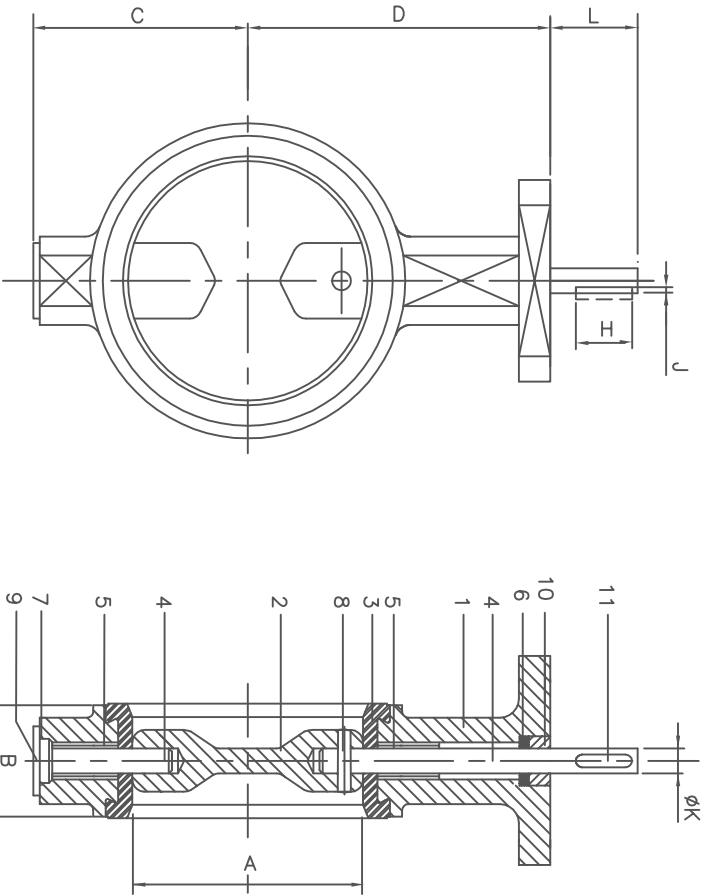
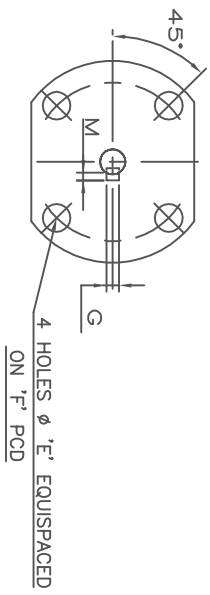


INTERVALVE® (ENGINEERING DATA SHEET)		DOC NO. : IVED-002
Title : Product Specification for IVGK / IVTL model Butterfly Valve (Integrally Bonded Seat)		REV NO. : 0
		DATE : 02/11/01
		PAGE NO. : 1 OF 1
GENERAL FEATURES	VALVE TYPE	CENTRIC DISC BUTTERFLY
	VALVE MODEL	IVGK / IVTL (BONDED SEAT)
	DESCRIPTION	RUBBER LINED BUTTERFLY VALVE WITH AN INTEGRALLY BONDED SEAT
	DESIGN, MFG. STD.	API 609 / BS 5155
	FACE TO FACE DIMENSION	ISO 5752 TAB 5 / API 609 (CATEGORY A)
	TESTING STANDARD	API 598 / BS 6755 PT I
	TOP FLANGE	ISO 5211.2
PRODUCT SPECS.	SIZE RANGE	40 NB TO 600 NB
	OPERATING TEMPERATURE	-25° C ~ +180° C. (DEPENDING ON MOC)
	PRESSURE RATING	PN 10/16; OTHERS ON REQUEST
	BODY TYPE	WAFER (IVGK) WAFER LUGGED (IVTL)
	FLANGE STANDARDS	ANSI 150; DIN PN2.5/6/10/16; NP0.6/1.0/1.6;JIS 5K/10K/16K; BS 10 D & E ANSI 150, DIN PN 10/16 ; NP/1.0/1.6; BS 10 TAB D & E
	DISC TYPE	CENTRIC DESIGN WITH TAPER PIN DRIVE
	SEAT TYPE	INTEGRALLY MOULDED WITH BODY
	SEAT LEAKAGE	ZERO LEAK, TIGHT SHUT OFF
	FLOW DIRECTION	BI-DIRECTIONAL
	PAINTING & FINISH	BLACK EPOXY COATING (EXCEPT ST. STEEL)
MATL. OF CONSTRUCTION	BODY MATL.	CI* (SIZES UPTO 300 NB) / SGI / WCB / CF8 / CF8M / AB2 6Mo / SUPER DUPLEX / OTHERS ON REQUEST
	DISC MATL.	SGI / CF8 / CF8M / WCB / AB2 / 6Mo / SUPER DUPLEX OTHERS ON REQUEST
	SEAT MATL.	NITRILE, EPDM, NEOPRENE, HYPALON, SILICON, VITON
	SHAFT MATL.	AISI 410 / SS 316 SH / MONEL / OTHERS ON REQUEST
	BEARING MATL.	SELF LUBRICATED (STEEL BACKED PTFE)
	SHAFT SEALING	O-RINGS
OPERATION	STD. PRESSED HAND LEVER	SIZES 40 NB TO 150 NB
	CAST HANDLE	SIZE 200 NB
	GEAR BOXES	250 NB TO 600 NB (OPTIONAL ON SMALLER SIZES)
	ACTUATOR (ELECT. / PNEUMATIC)	OPTIONALLY AVAILABLE ON FULL RANGE.
* NOT TO BE OFFERED FOR IVTL WITH TAPPED HOLE LUGS.		
1. SPECIFICATION SUBJECT TO CHANGE WITHOUT NOTICE DUE TO CONTINUOUS IMPROVEMENT. 2. OTHER MATERIAL OPTIONS OR NON-STANDARD REQUIREMENTS AVAILABLE ON REQUEST.		
PREPARED BY		APPROVED BY

CAUTION:- DO NOT USE FLANGE GASKETS DURING VALVE INSTALLATION.



VALVE DIMENSIONS													
VALVE SIZE	A	B	C	D	E	F	G	H	J	K	I	L	WT Kgs
40	40	33	68	103	9	70	4	20	2.5	12	1.5	32	3
50	50	43	73	113	9	70	4	20	2.5	12	1.5	32	4
65	65	46	80	121	9	70	4	20	2.5	12	1.5	32	4.5
80	80	46	88	128	9	70	4	20	2.5	12	1.5	32	5

FLANGE STD:-PN10/PN16/ASA150
 VALVE RATING:-PN10/PN16/ANSI C1150LB
 MFG STD - API 609
 TEST STD- API 598

HYD TEST PRESS- 1) BODY-15/24/29 KG/CM2
 2) SEAT-11/17.6/21 KG/CM2

@@ :- FOR MATL.SPECIFICATION REFER WED002

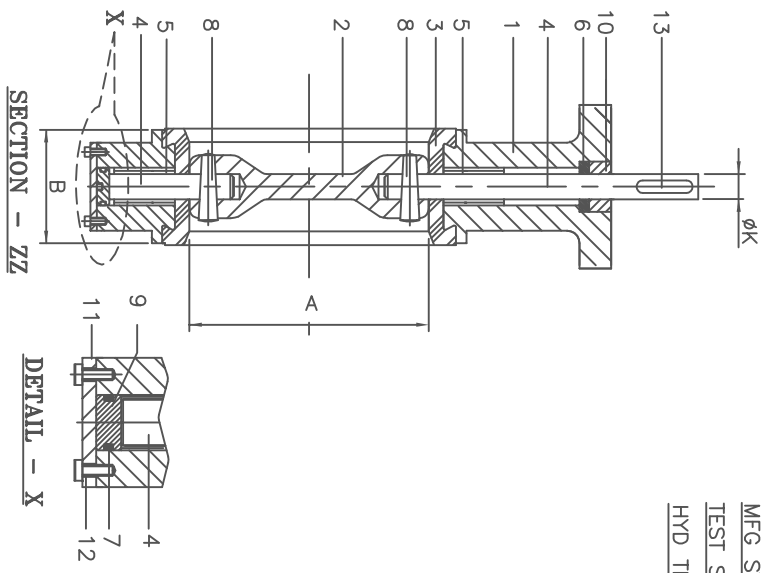
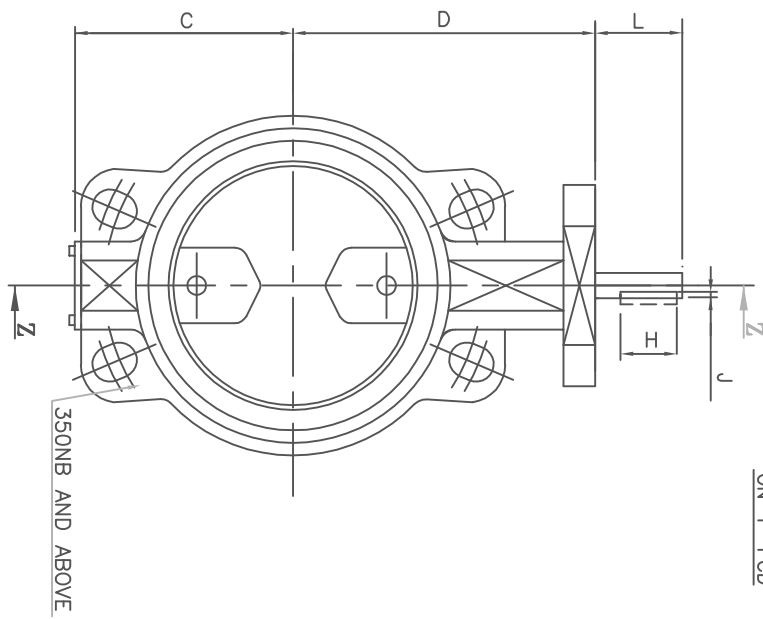
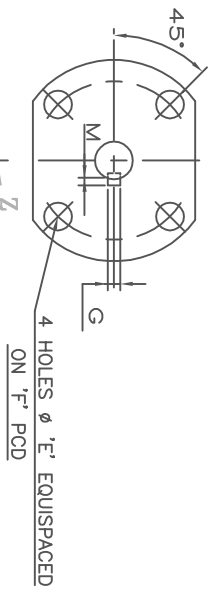
11	KEY	1	EN8
10	TOP BUSHING	1	POLYACETAL
9	PLUG	1	C-15
8	TAPER PIN	1	ANSI 316
7	O RING PLUG	1	@@
6	O RING SHAFT	1	@@
5	BEARING	2	@@
4	SHAFT	2	@@
3	BONDED SEAT	1	@@
2	DISC	1	@@
1	BODY	1	@@
NO	DESCRIPTION	QTY	MATL.

GKB BUTTERFLY VALVE WITH BARE SHAFT		CHKD DT.	
DRG.NO:PD14478/MDS006		DRN. DT.	BMW 27.8.05

INTERVALVE

REV./MOD.NO.	DATE	SIGN	IF IN DOUBT. ASK.	SCALE N.T.S.	CUSTOMER- P.O.NO. - -

CAUTION:- DO NOT USE FLANGE GASKETS DURING VALVE INSTALLATION.
 @@ FOR MATL.SPECIFICATION REFER IVD 002



VALVE SIZE	VALVE DIMENSIONS												
	A	B	C	D	E	F	G	H	J	K	M	L	WT.KGS
250	250	68	203	245	11	102	8	25	4	30	3	50	24
300	300	78	228	270	14	125	8	25	4	30	3	50	30
350	336	78	265	312	14	125	8	25	4	30	3	50	39
400	386	102	305	360	18	140	12	50	5	40	3	60	64
450	436	114	330	390	18	140	12	50	5	40	3	60	75
500	486	127	355	410	18	140	12	50	5	40	3	60	97

FLANGE STD:-PN10/16/ASA150
 VALVE RATING-PN10/16/ANSI C11501b
 MFG STD - API 609
 TEST STD- API 598
 HYD TEST PRESS- 1) BODY-15/24/29 KG/CM2
 2) SEAT-11/17.6/21 KG/CM2

@@ - FOR MATERIALS PLEASE ENQUIRE

13	KEY	1	EN8
12	SOC.CAP SCREW	4	ANSI 304
11	BOTTOM COVER	1	MS + EPOXY
10	TOP BUSHING	1	POLYACETAL
9	THRUST PAD	1	AL.BRONZE
8	TAPER PIN	2	@@@
7	O RING THRUST PAD	1	@@@
6	O RING SHAFT	1	@@@
5	BEARING	2	@@@
4	SHAFT	2	@@@
3	BONDED SEAT	1	@@@
2	DISC	1	@@@
1	BODY	1	@@@

TQ NO:-
 IV NO:-
 GK BUTTERFLY VALVE WITH BARE SHAFT

DRG.NO:PD14483/MDS006

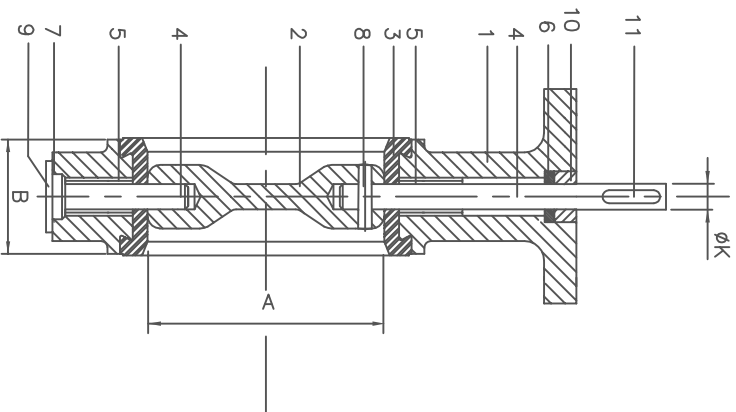
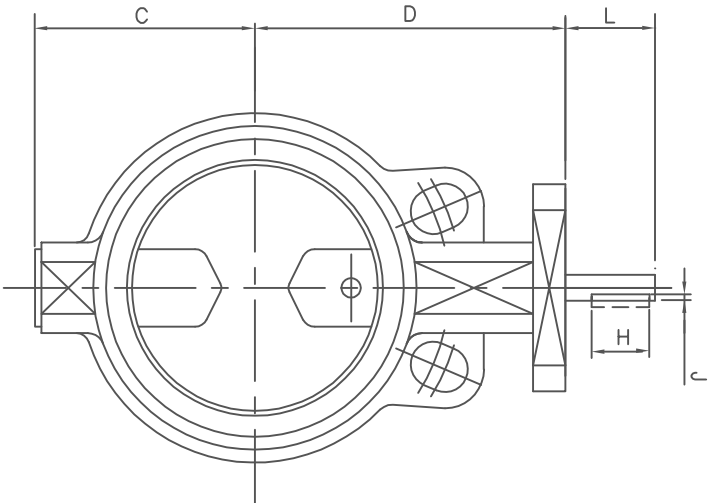
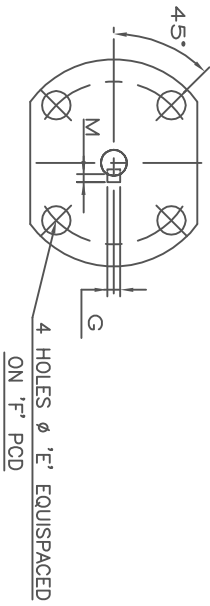
DRN. DT. 29.8.05

BMW

REV. MOD. NO. DATE SIGN IF IN DOUBT. ASK. SCALE N.T.S. CUSTOMER- P.O.NO.-

INTERVALVE

CAUTION:- DO NOT USE FLANGE GASKETS DURING VALVE INSTALLATION.



VALVE DIMENSIONS													
VALVE SIZE	A	B	C	D	E	F	G	H	J	K	I	L	WT Kgs
100	100	52	104	146	9	70	5	20	3	16	2	32	6.5
125	125	56	116	158	9	70	5	20	3	16	2	32	8
150	150	56	138	174	11	102	6	20	3.5	20	2.5	32	11
200	200	60	163	198	11	102	6	20	3.5	20	2.5	32	14.5

FLANGE STD:-PN10/PN16/ASA150
 VALVE RATING:- PN10/16/ANSI C11501b
 MFG STD - API 609
 TEST STD- API 598

HYD TEST PRESS- 1) BODY-15/24/29 KG/CM2
 2) SEAT-11/17.6/21 KG/CM2

☉☉ :- FOR MATERIALS PLEASE ENQUIRE

11	KEY	1	EN8
10	TOP BUSHING	1	POLYACETAL
9	PLUG	1	☉☉
8	TAPER PIN	1	☉☉
7	O RING PLUG	1	☉☉
6	O RING SHAFT	1	☉☉
5	BEARING	2	☉☉
4	SHAFT	2	☉☉
3	BONDED SEAT	1	☉☉
2	DISC	1	☉☉
1	BODY	1	☉☉
NO	DESCRIPTION	QTY	MATL.

GKB BUTTERFLY VALVE WITH BARE SHAFT		APPD	DT.
DRN.		CHKD	DT.
DT.		BMW	DT.

DRG.NO.PD14482/MDS006

INTERVALVE

REV.	MOD.NO.	DATE	SIGN	IF IN DOUBT. ASK.	SCALE N.T.S.	CUSTOMER- P.O.NO.-

CAUTION:- DO NOT USE FLANGE GASKETS DURING VALVE INSTALLATION.

VALVE DIMENSIONS

VALVE SIZE	A	B	C	D	E	F	G	H	J	K	M	L	WT.KGS
600	586	154	435	490	22	165	14	63	5.5	50	3.5	70	135

FLANGE STD:-PN10/16/ASA150

VALVE RATING-PN10/16/ANSI C11501b

MFG STD - API 609

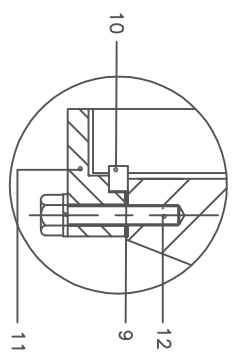
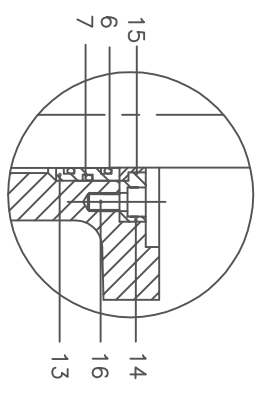
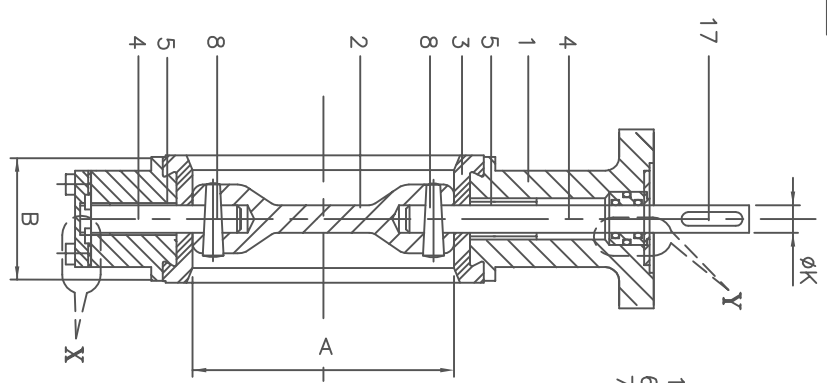
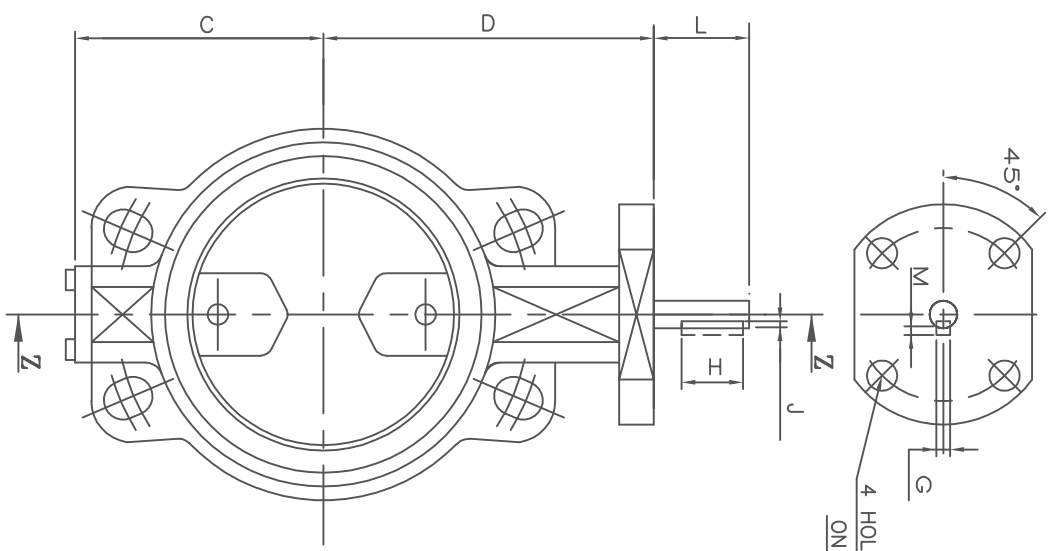
TEST STD- API 598

HYD TEST PRESS-

1) BODY-15/24/29 KG/CM2

2) SEAT-11/17.6/21 KG/CM2

@@ - FOR MATERIALS PLEASE ENQUIRE



17	KEY	1	EN8
16	SOC.CAP.SCREW	4	AISI 304
15	GUIDE BUSH	1	AL.BRONZE
14	TOP COVER	1	MS+EPOXY
13	'O' RING HOLDER	1	AISI 304
12	SOC.CAP.SCREW	4	AISI 304
11	BOTTOM COVER	1	MS+EPOXY
10	THRUST BEARING	2	AL.BRONZE
9	GASKET	1	@@
8	TAPER PIN	2	@@
7	'O' RING BODY	1	@@
6	O RING SHAFT	2	@@
5	BEARING	2	@@
4	SHAFT	2	@@
3	BONDED SEAT	1	@@
2	DISC	1	@@
1	BODY	1	@@

REV./MOD.NO.	DATE	SIGN	IF IN DOUBT. ASK.	SCALE N.T.S.	CUSTOMER- P.O.NO.-
--------------	------	------	-------------------	--------------	--------------------

DRN.	DT.	BMW
DT.	DT.	29.8.05

INTERVALVE